

Print to actual size - UK A4

Key

Dashed lines - fold up (hill fold)

Dotted lines - fold down (valley fold)

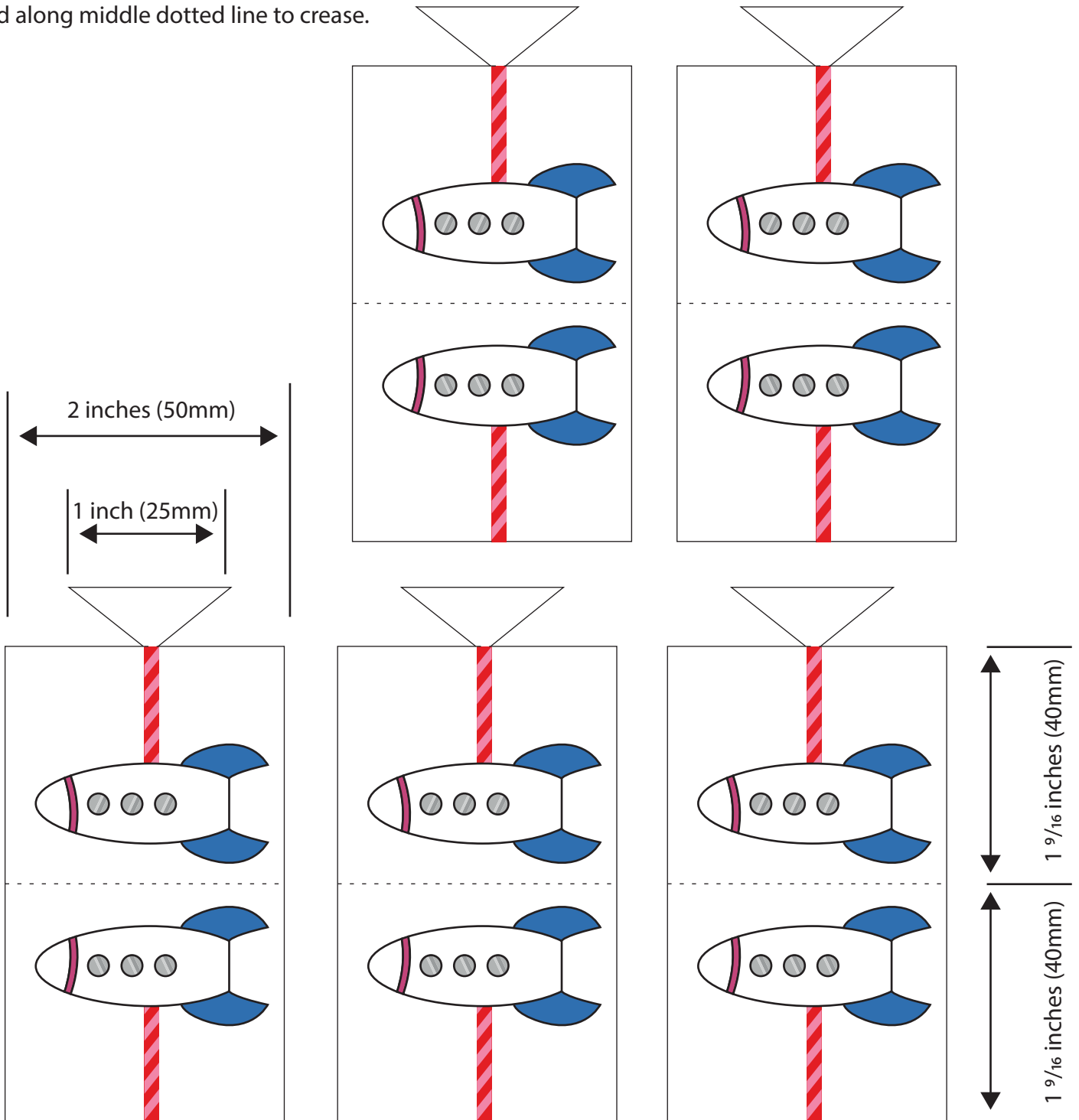
Shaded areas - glue tabs.

Rockets

Print on cardstock/card and

cut out around the outer solid line.

Fold along middle dotted line to crease.



Roof parts

Print on bright cardstock/card and cut out around the outer solid line.

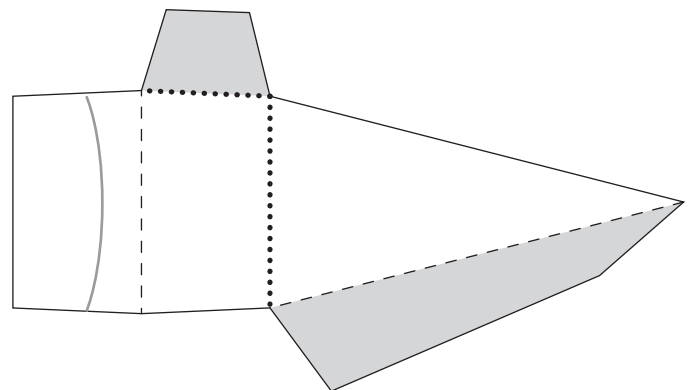
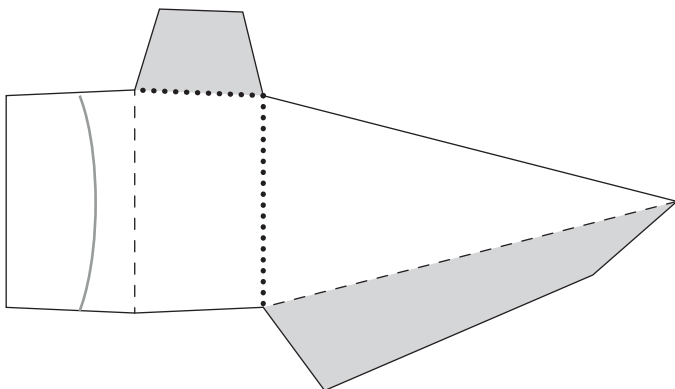
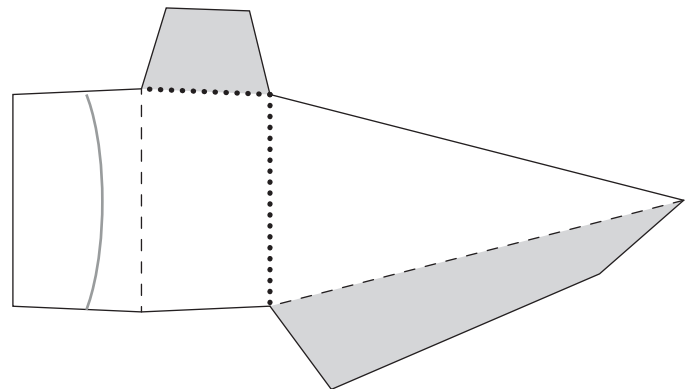
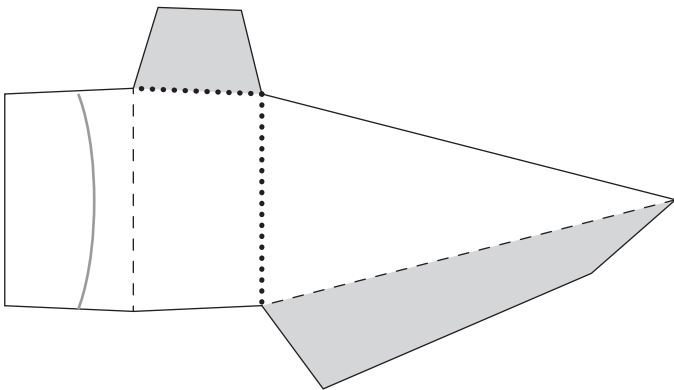
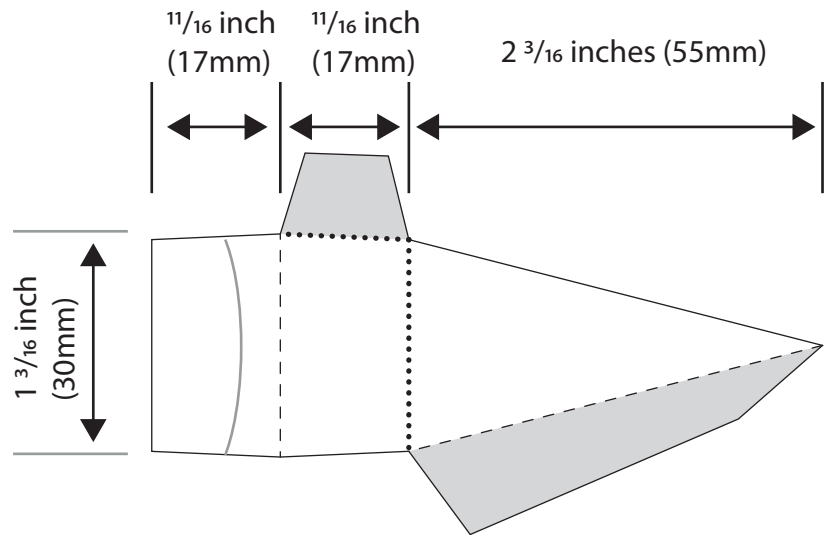
Fold along dotted lines to crease.

Print the page a second time using a different shade of bright cardstock/card.

Cut out around the outer solid line.

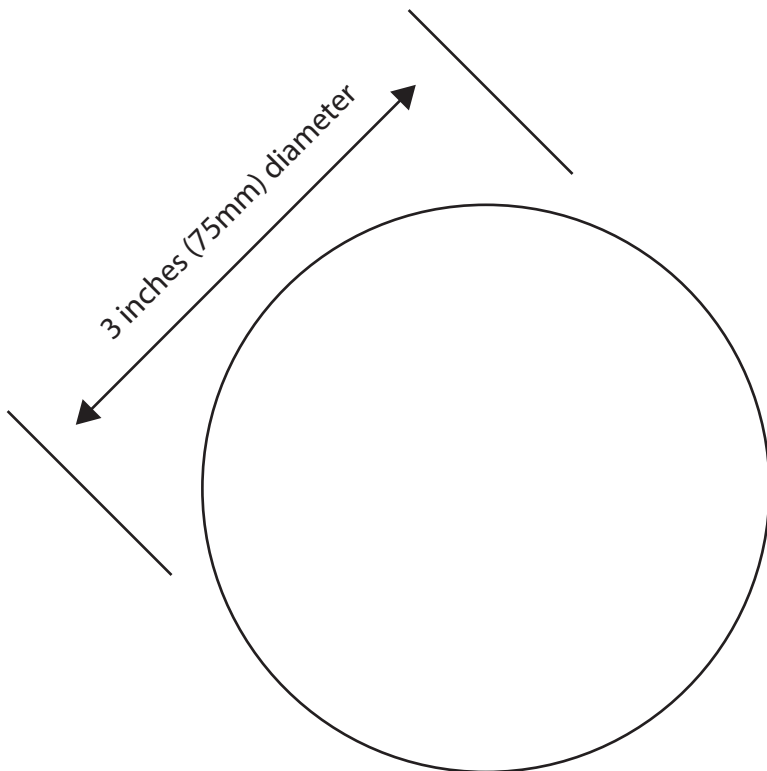
Fold along dotted lines to crease.

You should end up with 10 roof parts in total.



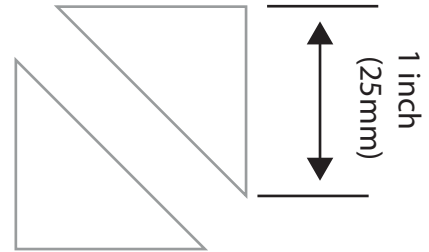
Base circle

Print onto cardstock/card, trace onto corrugated cardboard and cut out.



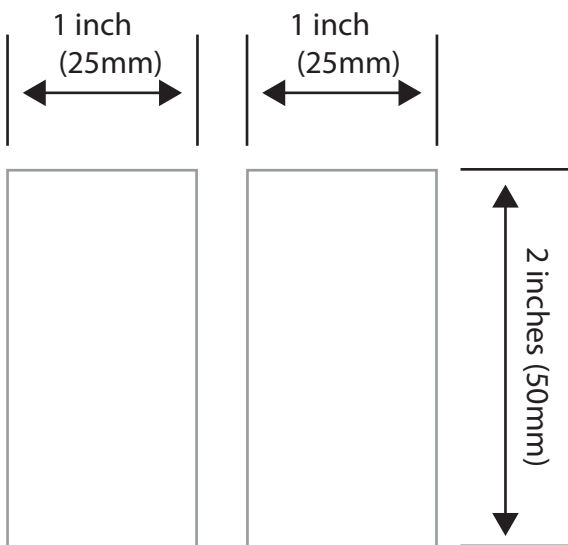
Supporting fillets (2 triangles)

Print onto cardstock/card, trace onto corrugated cardboard and cut out.



Stand: 2 sides

Print onto cardstock/card, trace onto corrugated cardboard or thick, shiny cardstock/card and cut out.



Stand: middle

Print onto cardstock/card, trace onto corrugated cardboard and cut out.

